

IQ8Wireless universal interface

- Dual band transmission technology with change of channels
- Meets EN54-25 requirements
- Individually addressable detector at the IQ8Control / FlexES control
- Regularly tests the operation of the detector
- Alarm and fault forwarding in accordance with EN 54-2
- Fault monitoring when removing the detector
- Constant monitoring of battery voltage
- High degree of flexibility in the application due to modular construction
- Large and small format of MCP adaptable
- Wireless fire alarm with IQ8Alarm signalling unit (voice alarm, sounder, optical flasher)
- Wireless fire alarm and fire detection with IQ8Quad detector (voice alarm, sounder, optical flasher)



Overview

IQ8Wireless technology enables the IQ8Quad automatic fire detectors (with and without alarm signalling units), MCPs and the IQ8Alarm signalling unit to be wirelessly connected to the fire alarm system IQ8Control and FlexES control. Existing fire detection systems can be upgraded to wireless technology or complete fire detection systems for smaller properties can be implemented using wireless components.

Depending on the ambient conditions, coverage of up to 300 m is possible (200 m in the case of a wireless gateway). The tools 8000 programming software is used to assign the wireless components to a wireless transponder or gateway. The charge state of the batteries is checked automatically and if they need to be replaced, this is displayed in good time as a fault message on the fire alarm panel and/or the wireless transponder*.

The best installation location and maximum distance are determined

quickly and easily using the field strength measurement feature included in tools 8000.

Only automatic fire detectors and alarm signalling units or MCPs may be assigned to a wireless transponder or gateway. In accordance with the relevant EN regulations and VdS standards, variable operation of both types of detector is not permitted.

IQ8Wireless universal interface

The wireless interface enables the large and small format IQ8MCPs, all fire detectors and alarm signalling units from the IQ8 portfolio to be wirelessly connected to a wireless transponder or gateway. These in turn integrate the intelligent IQ8 components into the esserbus®/powered loop. The detectors/ alarm signalling units are thus complete, separate addressable loop devices. The wireless interface supports the following IQ8 components:

- IQ8MCP electronic module, large style (Part No. 804905 / 804906)
- IQ8MCP complete, small style (Part No. 804971)
- IQ8MCP electronic module, small style (Part No. 804955)
- IQ8Alarm signalling unit (Part No. 8072xx, 8073xx)
- IQ8Quad detector with alarm signalling unit (Part No. 80238x)
- IQ8Quad detector without alarm signalling unit

Depending on the ambient conditions, coverage of up to 300 m is possible when a wireless transponder is included (200 m in the case of a wireless gateway).

When planning and designing wireless components, please note the requirements set out in DIN VDE 0833 T 2 sections 6.2.2 and 6.2.3: Detection and alarm zones.

* when assigning the wireless components using a wireless transponder

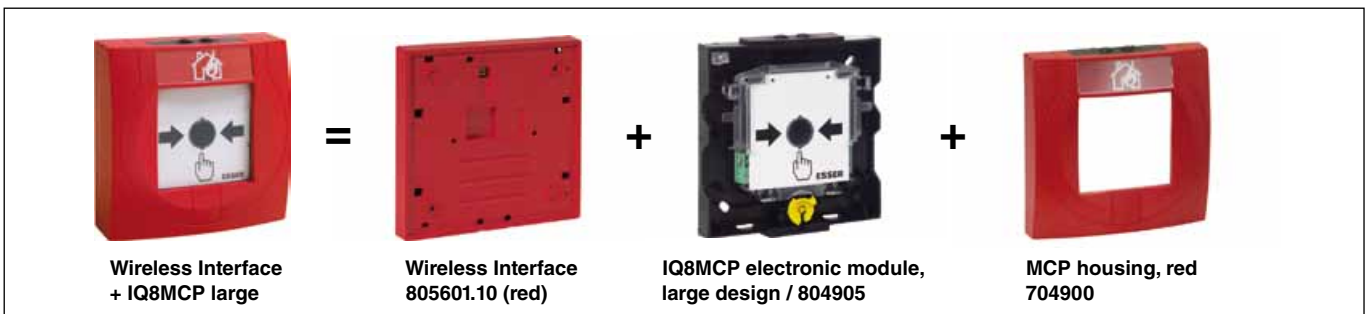
IQ8Wireless universal interface

Programming with tools 8000

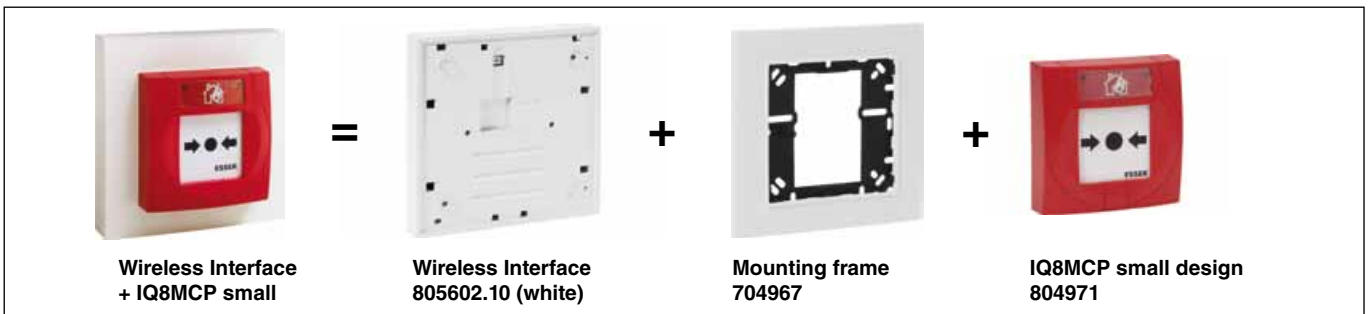
The IQ8Wireless interface is assigned to a wireless transponder or gateway using the tools 8000 programming software. Each component on the wireless interface occupies just one address on the loop. The alarm signalling unit can be used on up to 10 control groups per wireless transponder or gateway. The functions language/sounder or optical flasher each correspond to one control group.

In other words, an alarm signalling unit with, for example, a sounder occupies one control group; in the case of an alarm signalling unit with a voice alarm and optical flasher, two control groups are used. If the alarm signalling unit is activated using a wireless system, no synchronization takes place.

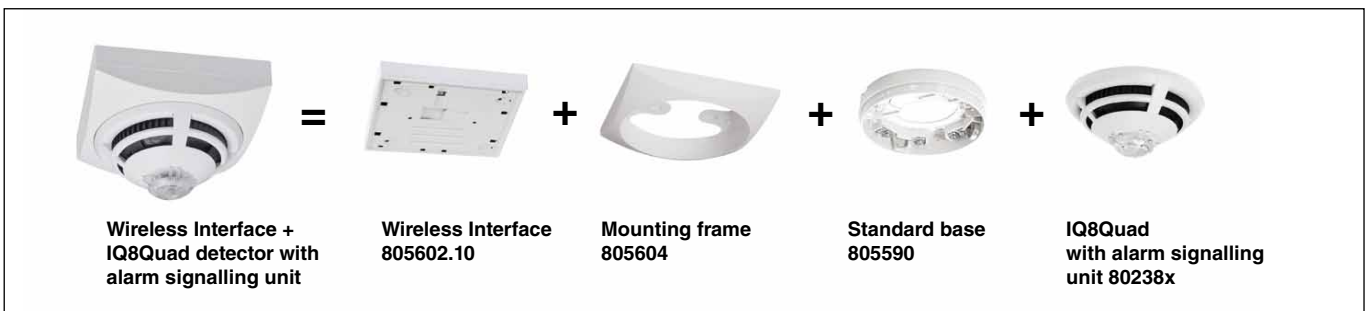
- Max. 10 wireless interfaces with IQ8MCP per wireless interface or gateway
- Max. 10 control groups with alarm signalling units per wireless interface or gateway
- Max. 10 wireless interfaces with IQ8Quad fire detectors per alarm signalling unit or wireless gateway
- Max. 32 wireless interfaces with IQ8Quad fire detectors per alarm signalling unit or wireless transponder



Assembly of wireless interface with large style IQ8MCP



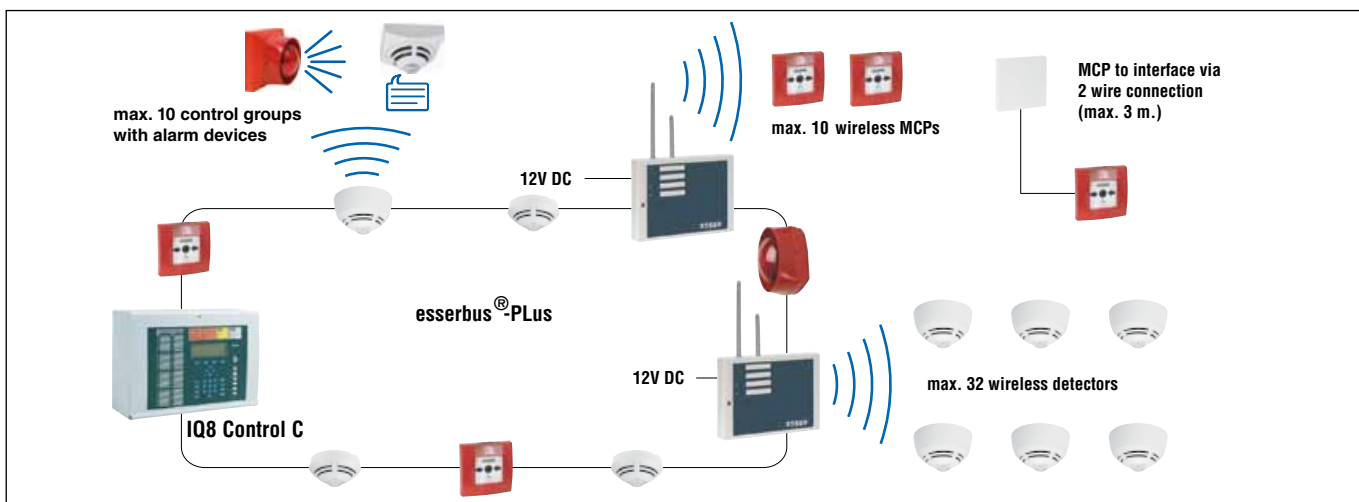
Assembly of wireless interface with small style IQ8MCP



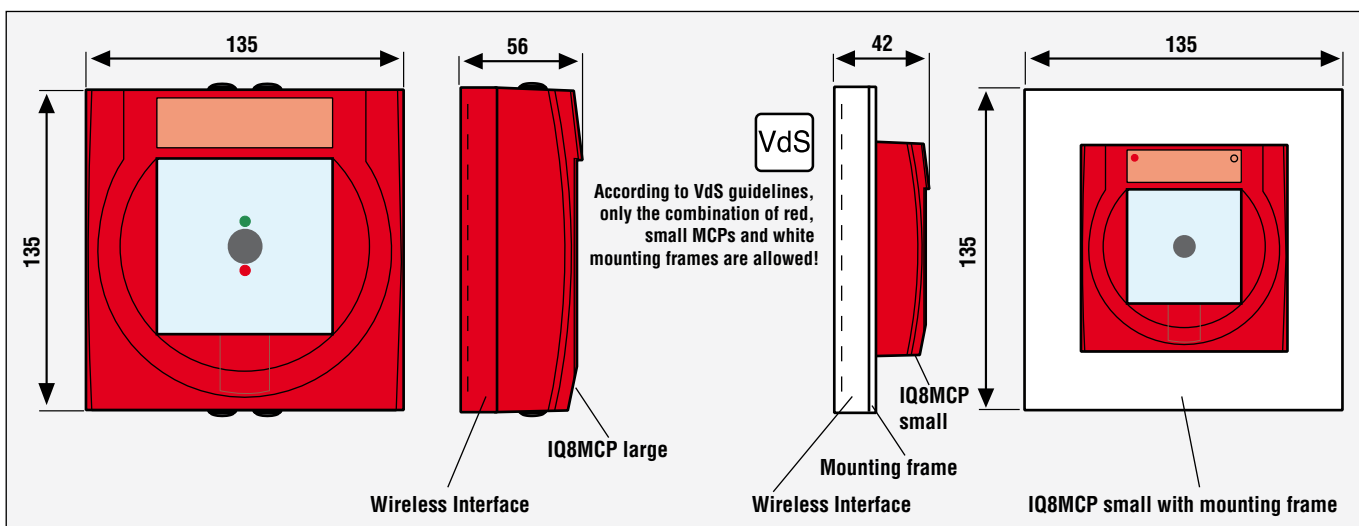
Assembly of wireless interface with IQ8Quad detector



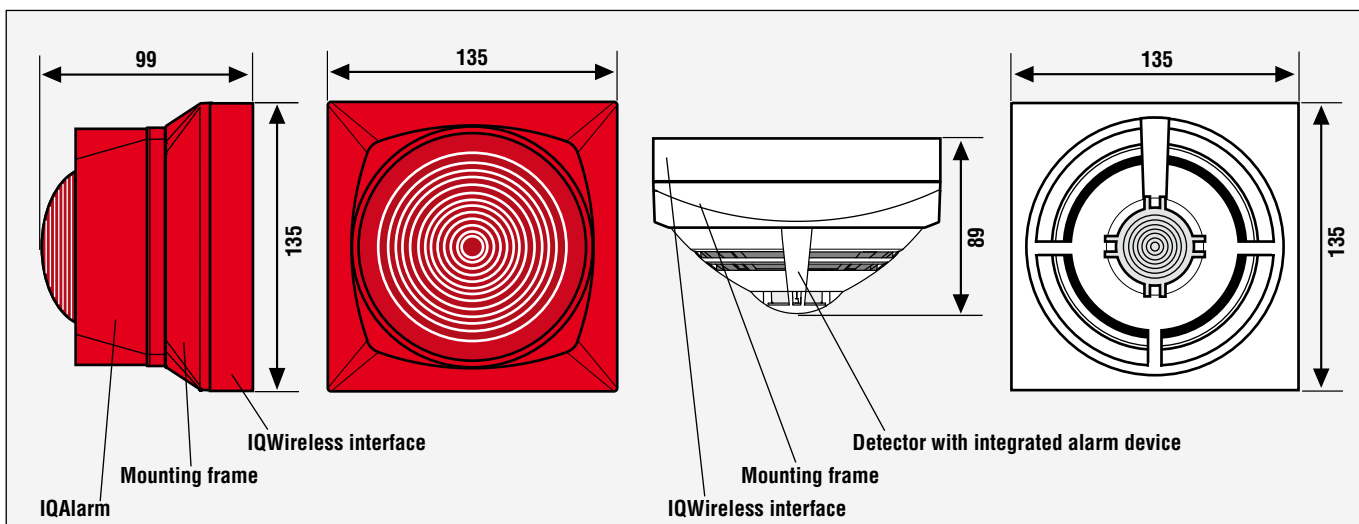
Assembly of wireless interface with IQ8Alarm



Example wireless components connection



Dimensions of wireless interface with large and small style IQ8MCP



Dimensions of wireless interface with IQ8Alarm and IQ8Quad detector

Specifications

Specifications for wireless interface	
Batteries	4 x 3.6 V batteries
Battery operating time	approx. 3 years (depending on the IQ8 components used)
Current consumption	approx. 30 µA
Frequency band	433 MHz with 16 channels 868 MHz with 8 channels
Range inside	max. 30 m
Range outside	max. 300 m
Application temperature	-5 °C ... +55 °C
Storage temperature without batteries	-20 °C ... +70 °C
Storage temperature with batteries	+25 °C ± 10 °C
Air humidity	≤ 95 % (without condensation)
Protection rating	IP42
Material	PC ASA plastic
Color	red, similar to RAL 3020 white, similar to RAL 9010
Weight	approx. 285 g incl. batteries (without attachment)
Dimensions (WxHxD)	135 x 135 x 20 mm (without attachment)
VdS approval	G 206092
Specification	EN 54-18: 2005 / -25: 2009

Order data	Part No.
IQ8Wireless universal interface, red without cover	805601.10
IQ8Wireless universal interface, white without cover	805602.10
IQ8Wireless mounting frame for IQ8Alarm, red and white	805603
IQ8Wireless mounting frame for IQ8Quad and IQ8Quad with alarm, white	805604
IQ8Wireless filler panel for wireless interface, white and red	805605
IQ8MCP electronic module with isolator	804905
MCP housing, red	704900
MCP housing, blue	704901
MCP housing, yellow	704902
MCP housing, orange	704903
MCP housing, green	704904
Mounting frame for IQ8MCP, small style, white/ red	704967
IQ8MCP complete (small style)	804971
3.6 V lithium battery (pack of 4)	805597
IQ8Alarm	8072xx, 8073xx
IQ8Quad detector with alarm signalling unit	80238x
IQ8Quad detector without alarm signalling unit	80217x, 80227x, 80327x, 80237x, 80337x, 80247x

Please refer to our Fire Detection Technology catalog for more order data.