

FAAST CLIP HOLE IDENTIFICATION SYSTEM

Features

- Permits faster, more efficient commissioning and installation, as well as ongoing maintenance
- Installation-ready design (with no part assembly or tools required); each CLIP simply clicks into place for a firm, non-slip position
- Clear and easily accessible visual colour-coded guide to sample hole location and sampling hole size; even in the largest format applications
- Greatly simplifies sample hole drilling; a single 10mm drill can be used to create all holes (simply fit the relevant CLIP to limit the hole size after initial hole drilling)
- Reduces dust loading effects through inclusion of a chamfered hole entry design, helping to increase uptime and potentially extends test intervals
- Two versions available: Standard and Harsh Environments
- Harsh environment CLIP variants feature a flexi-lip design that changes its shape when subjected to blow off pressure. This ensures that any ice, fiber or dust build-up on the supporting rubber structure can be easily detached and broken up by the air jetstream out of the CLIP hole, providing additional protection in challenging locations like freezer applications.



Standard CLIPS

Harsh Environment CLIPS



Description

When installing an Aspirating Smoke Detection (ASD) system in large format applications like warehouses or big open spaces with high ceilings, commissioning and installation time can be increased if the right approach is not employed. When dealing with such applications, it is often almost impossible to identify the exact location of sampling holes and more importantly, identify if the sampling hole is the correct size, creating unnecessary delays.

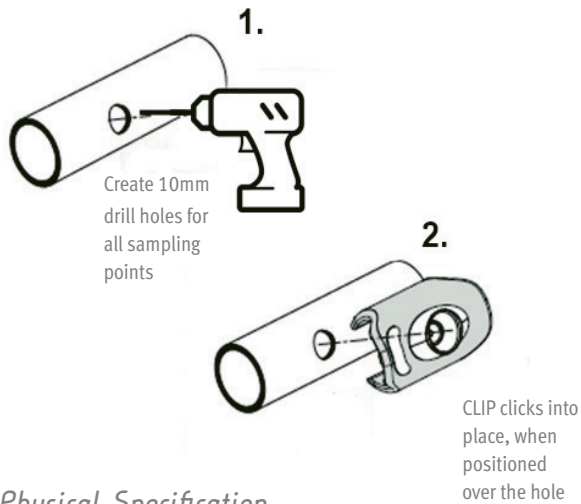
Honeywell's CLIP Hole Identification system is designed to alleviate such potential issues, by providing a clear, visual indication of sampling point location and its associated hole size. Each CLIP is colour-coded and indicates a specific hole diameter, providing an instantly accessible visual guide that can ease the installation process as well as help service engineers and auditors to update or test the system more efficiently.

Sampling hole creation is also greatly simplified using this technology, a 10mm diameter drill is all that is required by an installer to create each sampling hole (rather than many different drill sizes).

Another key benefit of using Honeywell's CLIP Hole Identifiers is the inclusion of a chamfered hole entry in the clip design; an aspect which is proven to significantly reduce dust loading effects. Without using this type of technology, a build-up of dust around a standard drilled sampling hole is likely to occur, due to the friction created by the airflow through the sampling hole. By reducing dust loading effects and leveraging the additional protection provided by CLIP Hole Identifiers, sites can help to increase system uptime and potentially extend service and testing intervals.

Unlike most contemporary solutions, the Honeywell CLIP Hole Identification System is installation-ready (with no need for assembly, any additional parts or tools); CLIPs are provided as a single ready-to-fit piece. Honeywell's CLIPs are also available in two formats; Standard and Harsh Environments. Harsh environment CLIP variants feature a flexi-lip design that changes its shape when subjected to blow off pressure. This ensures that any ice, fiber or dust build-up on the supporting rubber structure can be easily detached and broken up by the air jetstream out of the CLIP hole, providing additional protection in challenging locations like freezer applications.

Architect/Engineer Specifications



Physical Specification

Length	55mm
Weight	11g
Width	30.5mm
Tube Outer Diameter	25mm - 27mm
Colour Body	RAL9005
Material	PC/ABS
Colour Rubber	Variable material TPE

Easy-fit CLIP Functionality

Step 1: Simply use a 10mm drill bit to create all sample holes

Step 2: Fit the relevant colour-coded CLIP; place over the hole and secure in place by applying pressure until a “click” occurs.

- CLIPS are available ready-to-fit
- No part assembly required; one single system
- No special tools required
- Added hole blockage resistance through flexi-lip design (Harsh Environment CLIPS), that changes its shape when subjected to blow off pressure. This prevents ice, dust or fiber build up on the supporting rubber structure, by allowing it to be detached by the air jetstream out of the CLIP hole
- CLIPS do not slip and stay firmly in place due to easy click-fit technology
- Anti-pressure shock design that is ideal for automatic purge systems

Performance Specification

Maximum Pipe Network Pressure	7 bar
-------------------------------	-------

Environmental Specifications

Application Temperature Range	-30°C +45°C
Application Humidity Range	5% to 95% Relative Humidity



Application where ambient temperature will exceed 45°C may lead to CLIP sealing leakage up to 5%.

Part Numbers (STANDARD variant) - supplied as a 5 pack of CLIPS

F-PC-0	Pipe Clip, blind	Main colour: BLACK / Tab colour: Black
F-PC-2	Pipe Clip 2.0mm (5/64)	Main colour: RED / Tab colour (N/A)
F-PC-2.5	Pipe Clip 2.5mm (6/64)	Main colour: RED / Tab colour RED
F-PC-3	Pipe Clip 3.0mm (1/8)	Main colour: ORANGE / Tab colour (N/A)
F-PC-3.5	Pipe Clip 3.5mm (9/64)	Main colour: ORANGE / Tab colour ORANGE
F-PC-4	Pipe Clip 4.0mm (5/32)	Main colour: YELLOW / Tab colour (N/A)
F-PC-4.5	Pipe Clip 4.5mm (11/64)	Main colour: YELLOW / Tab colour YELLOW
F-PC-5	Pipe Clip 5.0mm (13/64)	Main colour: GREEN / Tab colour (N/A)
F-PC-5.5	Pipe Clip 5.5mm (7/32)	Main colour: GREEN / Tab colour GREEN
F-PC-6	Pipe Clip 6.0mm (15/64)	Main colour: BLUE / Tab colour (N/A)
F-PC-6.5	Pipe Clip 6.5mm (1/4)	Main colour: BLUE / Tab colour BLUE

Part Numbers (HARSH ENVIRONMENTS variant) - supplied as a 5 pack of CLIPS

F-PC-HE-2	Pipe Clip Harsh Env. 2.0mm (5/64)	Main colour: RED / Tab colour (N/A)
F-PC-HE-2.5	Pipe Clip Harsh Env. 2.5mm (6/64)	Main colour: RED / Tab colour RED
F-PC-HE-3	Pipe Clip Harsh Env. 3.0mm (1/8)	Main colour: ORANGE / Tab colour (N/A)
F-PC-HE-3.5	Pipe Clip Harsh Env. 3.5mm (9/64)	Main colour: ORANGE / Tab colour ORANGE
F-PC-HE-4	Pipe Clip Harsh Env. 4.0mm (5/32)	Main colour: YELLOW / Tab colour (N/A)
F-PC-HE-4.5	Pipe Clip Harsh Env. 4.5mm (11/64)	Main colour: YELLOW / Tab colour YELLOW
F-PC-HE-5	Pipe Clip Harsh Env. 5.0mm (13/64)	Main colour: GREEN / Tab colour (N/A)
F-PC-HE-5.5	Pipe Clip Harsh Env. 5.5mm (7/32)	Main colour: GREEN / Tab colour GREEN
F-PC-HE-6	Pipe Clip Harsh Env. 6.0mm (15/64)	Main colour: BLUE / Tab colour (N/A)
F-PC-HE-6.5	Pipe Clip Harsh Env. 6.5mm (1/4)	Main colour: BLUE / Tab colour BLUE

Please Note: Colour coding assigned accordingly to IEC 60062 standard resistor code.

System Sensor (Technical Services)

System Sensor Europe
Unit C2
Foundry Lane, Horsham, West Sussex
RH13 5YZ, UK
Tel: +44 (0)1403 330240
Fax: +44 (0)1403 330695
Email: sse.technical@systemsensoreurope.com
www.systemsensoreurope.com

System Sensor Europe (Customer Services)

Life Safety Distribution GmbH
Javastrasse 2, 8604 Hegnau
Switzerland
Tel: 0041 44 943 4400
Email: orders@systemsensoreurope.com
www.systemsensoreurope.com